

Summer Holiday Homework

Class X

SESSION 2025-26



Dear Students

Greetings!

Summer vacation is synonymous with fun, frolic, getting up late in the morning, playing for long hours with friends, going for picnics, exploring new places and having fun. Teachers have planned some assignments and creative work so that you can make the optimum use of your time and energy.

Here are few learning engagements for you subject wise.



Project 1: Art Integrated Project for Rajasthan-Nagaland Pairing

1. Traditional Naga and Rajasthani Weaving and Textile Art
 - Objective: Students can study the intricate weaving techniques of Naga textiles and create a sample using similar patterns.
 - Subjects Integrated: Art, Social Studies, Geography, Home Science.
2. Naga and Rajasthani Folk Music and Dance
 - Objective: Research and perform a traditional Naga folk dance or song, understanding its cultural significance.
 - Subjects Integrated: Music, Dance, Social Studies, Languages.
3. Naga and Rajasthani Tribal Masks and Sculpture

- Objective: Create replicas of traditional Naga masks using clay or papier-mâché, exploring their role in rituals and festivals.
 - Subjects Integrated: Art, History, Social Studies
4. Naga and Rajasthani Cuisine and Culinary Arts
- Objective: Research and prepare a traditional Naga dish, documenting the ingredients and cooking methods.
 - Subjects Integrated: Home Science, Geography, Social Studies
5. Naga and Rajsthani Folklore and Storytelling
- Objective: Write and perform a short skit based on a Naga folktale, highlighting moral values and traditions.
 - Subjects Integrated: Languages, Drama, Social Studies
6. Tourist spots to visit in Nagaland and Rajasthan
- Objective: Write and design a card brochure displaying the major spots of both the states
 - Subjects Integrated: Languages, art, Social Studies

Choose ANY FIVE topics and design a beautiful project (ART INTEGRATED PROJECT) file with your own creativity and ideas

Project 2:

Task 1 : "News for Change" – Newspaper Reading & Reflection

Objective: Read one article from a national or local newspaper that addresses an environmental issue or social cause. After reading:

- Summarize the article in 100–120 words.
- Reflect on how the issue affects your community and suggest one action you can take to contribute to a solution.

Example Topics:

- Air pollution and its health impacts.
- Water scarcity and conservation efforts.
- Community tree plantation initiatives.

Task 2: "Roots of Responsibility" – Tree Plantation & Journal

Objective: Participate in a tree plantation activity (either individually or with family/community) and document the experience.

- Plant at least one tree or sapling.

- Maintain a journal with:
 - Date and location of planting.
 - Type of tree planted.
 - Reflections on the experience and its significance.
 - Plans for nurturing the plant.

Goal: Foster a sense of environmental stewardship and long-term commitment to nature.

Task 3: "Silent Support" – Observational Essay

Objective: Observe a domestic worker's role in your household for a day and write a 150–200 word essay from their perspective.

- Describe their daily tasks and challenges.
- Reflect on the importance of their work and the need for respect and fair treatment.
- Suggest ways to show appreciation and support for their contributions.
- Purpose: Promote empathy, respect, and social responsibility.
- Design a beautiful project (RESPONSIBLE CITIZEN) file with your own creativity and ideas .

LEARN one poem of at least 3 minutes duration for PENTANGULAR ACTIVITY.



1. शहरों में प्रदूषण को रोकने के लिए पर्यावरण विभाग की ओर से लगभग 40 शब्दों में एक आकर्षक विज्ञापन तैयार कीजिए।

2. आत्मविश्वास और सफलता" अथवा "इंटरनेट क्रांति" विषय पर एक अनुच्छेद लिखिए।

3. "किशोरावस्था में मानसिक स्वास्थ्य" विषय पर निम्न

बिंदुओं को ध्यान में रखते हुए किसी एक बिंदु को विस्तृत पैनल चर्चा (डिस्कशन) के लिए तैयार कीजिए।

- किशोरावस्था की विशेषताएँ
- मानसिक स्वास्थ्य की सामान्य समस्याएँ
- शैक्षणिक और सामाजिक दबाव
- सोशल मीडिया और तकनीक का प्रभाव
- परिवार और शिक्षकों की भूमिका
- समाधान और सुझाव
- किशोरों की स्वयं की भूमिका
- मानसिक स्वास्थ्य को लेकर जागरूकता
- सहकर्मी समूह (Peers) का प्रभाव
- खेल, कला और रचनात्मक गतिविधियों की भूमिका

4. "सीबीएसई द्वारा दो बोर्ड परीक्षा का निर्णय विद्यार्थियों के हित में है।" विषय के पक्ष अथवा विपक्ष पर वाद विवाद की तैयारी कीजिए।

5. सभी पठित पाठों के अभ्यास प्रश्नों के उत्तर अपने नोटबुक में लिखिए।

संस्कृत

1—संस्कृत की 25 ज्ञानवर्द्धक सूक्तियों को संग्रह कर लिखिए।

2—संस्कृत के पाँच महाकवियों का संक्षिप्त जीवनवृत्त तैयार कीजिए।

3—श्रीमद्भगवद्गीता के ग्यारहवें अध्याय के पाँच श्लोक याद कीजिए।

4— निम्नलिखित शब्दों के रूप लिखिए व याद कीजिए—

बालक, लता, फल, मुनि, मति, नदी, अस्मद्, युष्मद्, किम्, तद्, इदम्, राजन्, विद्वस्, मातृ, पितृ, भगवद्।

धातु रूप— पठ्, गम्, वद्, भू, अस्, कृ।

5—गृहवाटिका में एक फलदार पौधा लगाइए।



1. Help your family members in daily work, play board games (games they used to play when they were of your age) with your parents & Grandparents, click photos and paste in a scrap book, writing a note below on your experience.
2. Revise Ch – 1 to CH – 4 done in class thoroughly well and be prepared for the test immediately after vacations. Do extra questions (Board papers – shared with you & refreshers) as many as possible.
3. For pi approximation day on 22th July, do any one of the following on pi:
 - i) make a Poster on p (pi)
 - ii) make a Power Point Presentation on pi approximation day for Symposium competition. It should be original & creative and not copy pasted. Not to copied from Internet.
 - iii) write & recite a poem on p(pi) and send the video
 - iv) learn the decimal expansion of p as much as you can remember & make a video of 30 secs. reciting correctly on pi (p) with 5 to 6 slides for the competition on July 22.
4. Practice & solve at least five tricks of Vedic Maths and Mental Maths in a week and maintain the record.
5. Make an Art Integrated Project on comparative analysis of Area & Population of the states of Rajasthan & Nagaland in statistical and graphical form. Use creativity and pictures to enhance the project.

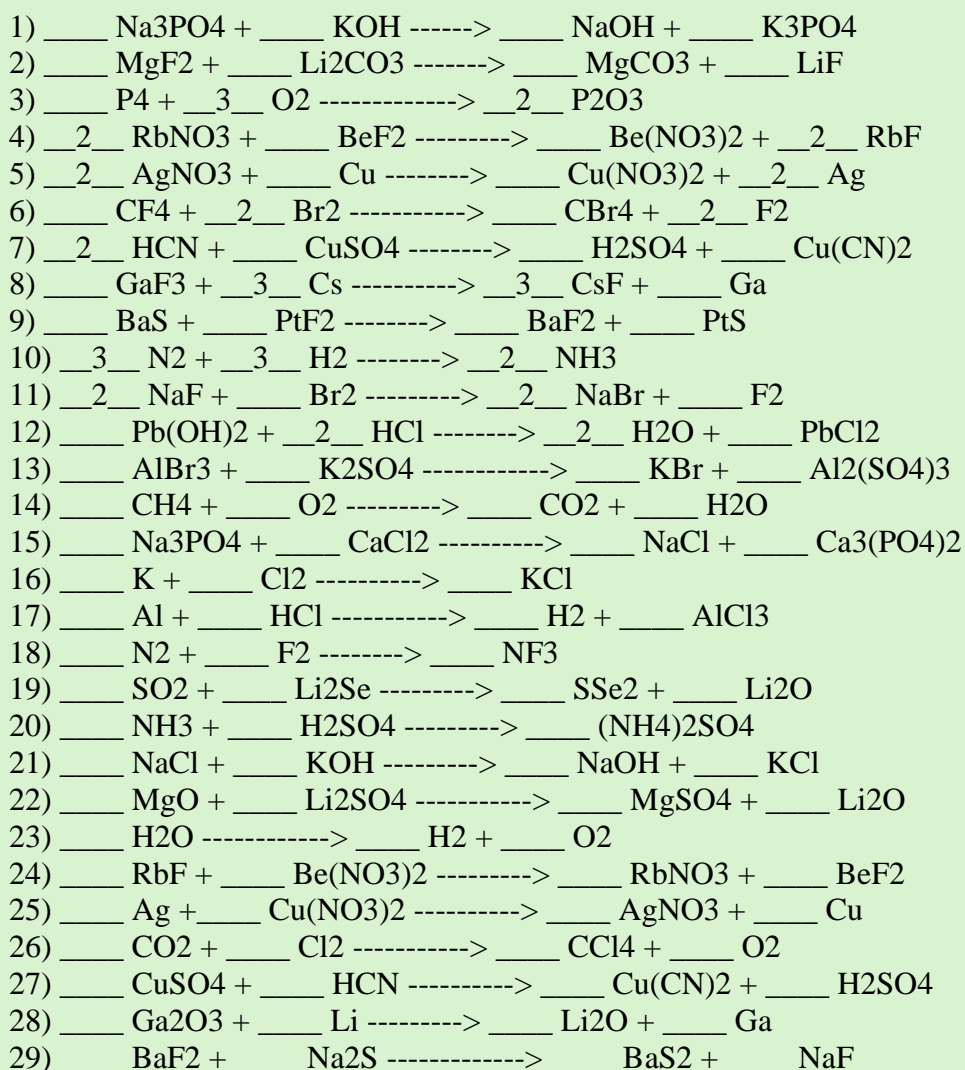


BIOLOGY:

1. Write a case study: Choose a topic like "Impact of Climate Change on Human Health" or "Importance of Conservation of Natural Resources" and write a case study.
2. Make a presentation: Create a presentation on topics like "Life Processes in Living Organisms" or "Our Environment".
3. Draw and label diagrams: Draw diagrams of human body systems, plant anatomy, or other relevant topics in your note book.

CHEMISTRY

1. Revise the first chapter thoroughly and learn the question answers.
2. Balance the equations in your notebook.



- 30) ____ NH₃ -----> ____ N₂ + ____ H₂
 31) ____ Br₂ + ____ NaF -----> ____ F₂ + ____ NaBr
 32) ____ H₂O + ____ PbCl₂-----> ____ Pb(OH)₂ + ____ HCl
 33) ____ KBr + ____ Al₂(SO₄)₃ -----> ____ AlBr₃ + ____ K₂SO₄
 34) ____ C₂H₆ + ____ O₂ -----> ____ CO₂ + ____ H₂O
 35) ____ CaCl₂+ ____ Na₃PO₄ -----> ____ Ca₃(PO₄)₂ + ____ NaCl
 36) ____ Be + ____ Cl₂ -----> ____ BeCl₂
 37) ____ HCl + ____ Ga -----> ____ GaCl₃ + ____ H₂
 38) ____ F₂ + ____ N₂ -----> ____ NF₃
 39) ____ CaO + ____ Li₂Se -----> ____ CaSe₂ + ____ Li₂O
 40) ____ NaCl + ____ H₂SO₄ -----> ____ Na₂SO₄ + ____ HCl

PHYSICS

1. Revise the chapter Light and practice various numerical problems on the Reflection of light.
2. Make a working model/ideas/experiment demonstrating the phenomenon associated with light (reflection/ refraction/ scattering/ dispersion, etc.)



Every student must undertake one project on-

- Consumer Awareness

OR

- Social Issues

OR

- Sustainable Development

- Follow instructions given below:-
 - Minimum 15 page file
 - Make sure acknowledgement, certificate, and bibliography
 - File should be in good handwriting.



1) Poster Making (Try the platform Canva on www.canva.com or any other app of your choice)

Choose any one Topic out of the following

- "AI in Everyday Life"
- "The Future of AI: Hype vs. Reality"

- “AI and the Future of Jobs”
- AI for Good: Solving Global Problems with Intelligence
- AI in Self-Driving Cars: Eyes on the Road

Print the color poster, paste it in your AI notebook.

2) Open CBSE site <https://cbseacademic.nic.in/index.html> . Click on AI >AI for all > Login >The program is divided into two sections: AI Aware, and AI Appreciate. Both sections can be completed in about four hours. After completion of these two sections complete the quizzes. You will get AI badges and certificates. *Add certificate in your portfolio.*

3) Explore atleast three AI tool or platform (like Teachable Machine, ChatGPT, ToolBaz, Petalica Paint, MusicFX DJ by google, imagefx, Emoji Scavenger Hunt, Pixel Art AI, AI Drum Machine by google, Moral Machine).

- Write your experience: What did you learn? How is it useful?
- Paste screenshot of your activity done in your AI notebook.

4) Open <https://cbseacademic.nic.in/skill-education-sqp.html> and solve last 3 years sample question papers of AI in notebook.

Additional Activity: -

❖ **Fun & Learn Activity:- Play with chatbots**

Elizabot - <https://www.masswerk.at/elizabot/>

Mitsuki - <https://www.kuki.ai/>

Cleverbot - <https://www.cleverbot.com/>

Singtel - <https://www.singtel.com/personal/support>

❖ **Debate Preparation: (Debate will be scheduled after vacations in Class)**

Prepare points for a classroom debate: Pick any one topic:

“Is AI a Boon or a Bane?”

“Should AI be granted rights similar to humans?”

“Should AI-generated work (art, writing, music) be eligible for copyright?”

“Does using AI in schools hinder student creativity and learning?”

“Should AI systems be allowed to make legal decisions (e.g., sentencing)?”

“Is it cheating to use AI tools like ChatGPT for schoolwork?”



1.Digital Documentation (LibreOffice Writer / MS Word)

Task: Create a 2-page document on the topic “The Importance of Cyber Safety for Students”. Include the following:

- Heading and subheadings
- Bulleted/numbered lists
- At least one table
- One image (inserted and properly formatted)

2. Internet and Email

Task:

- List 5 ways to identify fake or phishing emails
- Create a sample professional email you would write to a teacher asking for help with homework (don't send it—just write it out in your notebook)

3. Cyber Ethics and Safety

Task: Make a poster (handmade or digital) on “10 Golden Rules for Internet Safety”

- You can use Canva, MS PowerPoint, or any drawing software/app (or handmade on A4 sheet)
- Be creative and use catchy phrases or slogans

4. Research and Report

Topic: “Future Careers in Information Technology”

Write a short report (1–1.5 pages) including 3 emerging career options in IT, Skills Required , Expected salary range and A picture/logo for each role (optional)

Make a Neat Notes File

Write short notes (in your own words) on the following topics:

- Input and Output Devices
- Types of Software
- Advantages of Internet
- Cyber Safety Rules (Use 1 page per topic. Add drawings or printed images if you like.)



Do any ONE of your choice

A. Career Interview Video: Interview a professional in a career you are interested in and create a video or podcast episode (5-10 Mins , minimum) sharing insights and advice from the interview.

Some of the questions you may ask are :

- What is your role and what do you enjoy most?
 - What education was needed?
 - What challenges do you face?
 - What advice do you have for students interested in this field?
-

B. Career Research Project

- Objective: Understand a career path in detail.
- Choose any career that interests you. Write a detailed report (1–2 pages) covering:
- Job description and daily tasks
- Qualifications and degrees required
- Subjects to focus on in school
- Skills and personality traits needed
- Expected salary range
- Challenges in the field
- Growth opportunities and future outlook



Wish you all a safe and positive summers. Have fun-filled Holiday Break.